

REVISIONS				
REV	DESCRIPTION	ECD #	DATE	APPROVED
X1	PRELIMINARY RELEASE	XXXX	11/12/12	T. KUHN

### ELECTRICAL

FREQUENCY RANGE \_\_\_\_\_ DC - 6 GHz, 12.4 GHz & 18 GHz  
 VSWR\*

DC - 6 GHz \_\_\_\_\_ 1.30:1 MAX  
 6 - 12.4 GHz \_\_\_\_\_ 1.45:1 MAX  
 12.4 - 18 GHz \_\_\_\_\_ 1.60:1 MAX

INPUT POWER \_\_\_\_\_ 25 WATTS AVG. @ 25°C  
 DERATED LINEARLY TO 10 WATTS @ 125°C

PEAK POWER \_\_\_\_\_ 500 WATTS  
 (5µSec PULSE, 0.05% DUTY CYCLE)

IMPEDANCE \_\_\_\_\_ 50 OHMS

OPERATING TEMP RANGE \_\_\_\_\_ -65°C TO +125°C

\*WHEN INPUT PORT IS MATED WITH A CONNECTOR FROM TABLE 1

### MECHANICAL

CONDUCTORS \_\_\_\_\_ GOLD PLATED BERYLLIUM COPPER  
 HOUSING \_\_\_\_\_ BLACK ANODIZED ALUMINUM

### TABLE 1

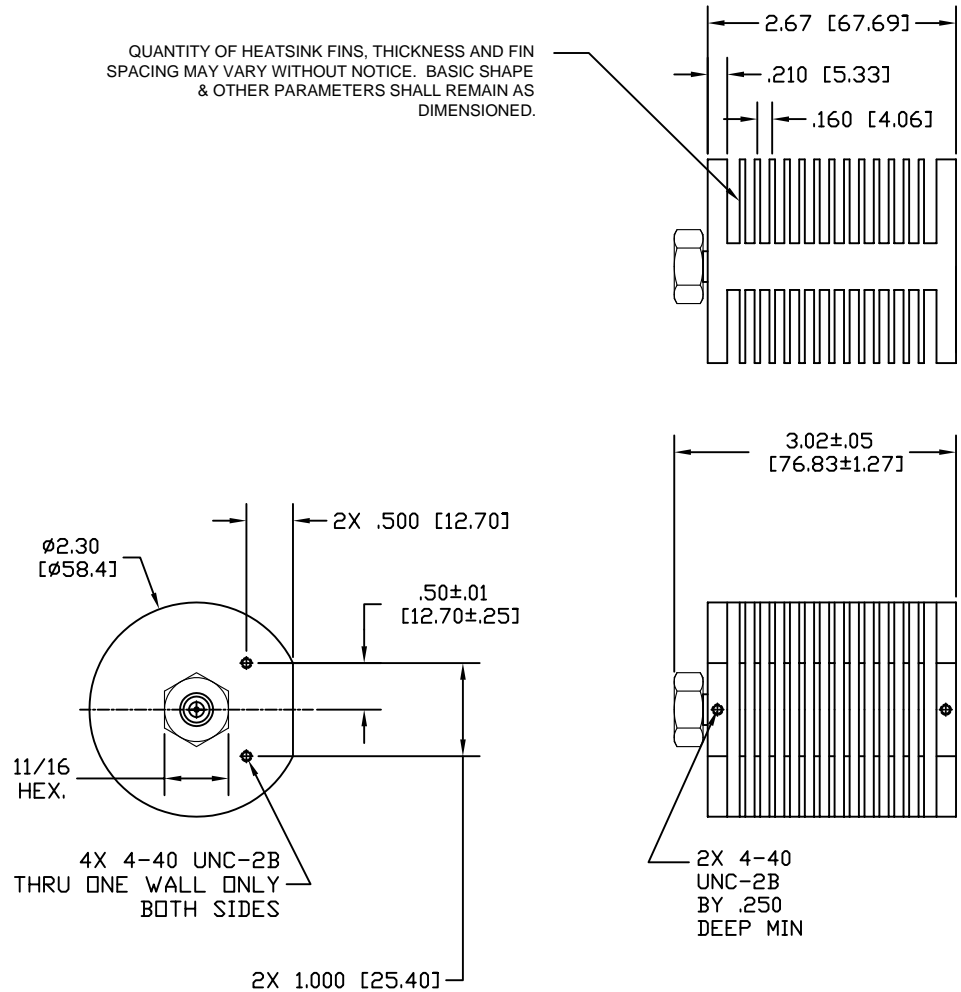
SMA MALE _____	AD20-9901-02
SMA FEMALE _____	AD20-9801-02
TYPE N MALE _____	AD30-9901-02
TYPE N FEMALE _____	AD30-9801-02
TNC MALE _____	AD31-9901-02
TNC FEMALE _____	AD31-9801-02
7/16 MALE _____	AD76-9901-02**
7/16 FEMALE _____	AD76-9801-02**

\*\* 8 GHz MAX.

### ORDERING INFORMATION

TO DESIGNATE MAX FREQUENCY REPLACE "-FQ" WITH:  
 "-06" = 6 GHz; "-12" = 12.4 GHz; "-18" = 18 GHz

QUANTITY OF HEATSINK FINS, THICKNESS AND FIN SPACING MAY VARY WITHOUT NOTICE. BASIC SHAPE & OTHER PARAMETERS SHALL REMAIN AS DIMENSIONED.



DRAWING PRACTICES PER ANSI-Y14.5 MIL-STD-100 & 1000	UNLESS OTHERWISE SPECIFIED TOLERANCES IN:	DRAWN T. KUHN	DATE 11/12/12
THICKNESSES ARE IN INCHES AND APPLY BEFORE/AFTER PROCESSING	DIMENSIONAL INCH DIM	CHECKED XXX	DATE XXX
SURFACE ROUGHNESS INCHES	.X" .05" [.76] .XX" .030" [.25] .XXX" .010 [.127]	ENG APPR. T. KUHN	DATE 11/12/12
FINISH SEE NOTES	ANGLES ±0°30'	THESE DRAWINGS AND SPECIFICATIONS ARE THE PROPERTY OF XMA CORP. OR OMNI SPECTRA AND SHALL NOT BE REPRODUCED, COPIED NOR USED - IN WHOLE OR IN PART - AS A BASIS FOR THE MANUFACTURE OR SALE OF OTHER ITEMS WITHOUT THE EXPRESS WRITTEN PERMISSION OF XMA CORP.	
MATERIAL SEE NOTES	REMOVE ALL BURRS/SHARP W/ BREAK / R OF .003" TO .0005"	SIZE C	CAGE CODE 3HT76
NOTE: THIS DRAWING INCORPORATES THIRD ANGLE PROJECTION	UNLESS OTHERWISE NOTED DIAS CONCENTRIC <.003 T.I.R.	DRAWING NUMBER ADT-6525-FQ	REV X1
INTERPRET 1AW ANSI Y14.5-1988	DO NOT SCALE PRINT	SCALE 1:1	PLATED AREA 98.3 IN XXX

POWERED BY: <b>XMA</b> Omni Spectra®
Phone: 603-222-2256 Fax: 603-222-2259 150 Dow Street, Manchester, NH 03101
TITLE OUTLINE DRAWING, ADAPTERMINATOR, 25 W, DC - 18GHz
SHEET 1 OF 1

SCALE 1:1	PLATED AREA 98.3 IN XXX	SHEET 1 OF 1
-----------	-------------------------	--------------

TEMPLATE REV -