

4

3

2

1

REVISIONS				
REV	DESCRIPTION	ECD #	DATE	APPROVED
X1	PRELIMINARY RELEASE	XXXX	11/14/12	T. KUHN

SPECIFICATIONS

INPUT POWER (AVG.)	100 WATTS
INPUT MAX. PEAK POWER <5 μSEC. PW, /<0.1% DUTY CYCLE	2,000 WATTS
POWER DERATES TO 10% @ +125°C AMBIENT FROM 25°C	
HEAT SINK THERMAL RISE (CALCULATED)	0.88°C/Watt
WEIGHT (MAX.) (LESS, DEPENDING ON CONNECTORS TYPES)	42 OZ. (1.3 KG)
TEMPERATURE RANGE	-55°C TO +125°C
POWER HANDLING BEST WHEN UNIT IS MOUNTED WITH HEAT SINK FINS VERTICAL THOUGH UNIT HANDLES FULL POWER IN ANY ORIENTATION WITH FREE AIR CONVECTION	

MATERIALS:

CONNECTORS ARE STAINLESS STEEL.
CENTER CONTACTS ARE BERYLLIUM COPPER

CASE IS ALUMINUM ALLOY WITH CHEMICAL CONVERSION COAT

HEAT SINKS ARE ALUMINUM ALLOY, BLACK ANODIZE FINISH

INTERNAL RESISTIVE ELEMENTS ARE EITHER BERYLLIUM OXIDE OR
ALUMINUM NITRIDE CERAMIC WITH THICK FILM AND/OR THIN FILM
RESISTORS

ROHS COMPLIANT DESIGN

UNIT SUPPLIED WITH MOUNTING HOLES FOR BRACKET OR MOUNTING
STANDOFFS

RF ELECTRICAL SPECIFICATIONS:

	DC-2GHz	2-4GHz	4-6GHz	6-8GHz
VSWR (MAX.)	1.20:1	1.35:1	1.45:1	1.50:1

*WHEN INPUT PORT IS MATED WITH A CONNECTOR FROM TABLE 1

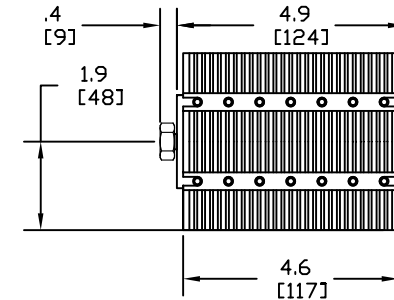
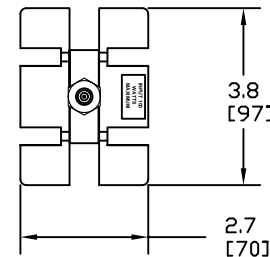
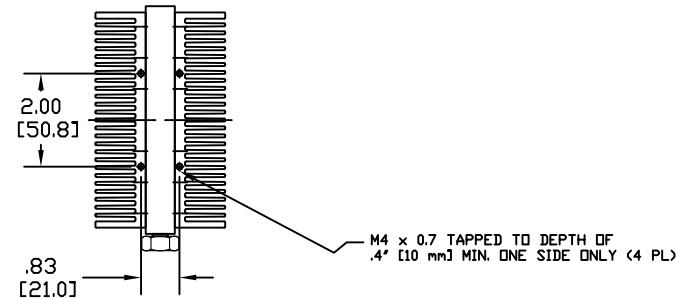
TABLE 1

SMA MALE	AD20-9901-02
SMA FEMALE	AD20-9801-02
TYPE N MALE	AD30-9901-02
TYPE N FEMALE	AD30-9801-02
TNC MALE	AD31-9901-02
TNC FEMALE	AD31-9801-02
7/16 MALE	AD76-9901-02**
7/16 FEMALE	AD76-9801-02**

** 8 GHz MAX.

ORDERING INFORMATION

TO DESIGNATE MAX FREQUENCY REPLACE "-FQ" WITH:
"-02" = 2 GHz; "-06" = 6 GHz; "-08" = 8 GHz



D

D

C

C

B

B

A

A

DRAWING PRACTICES PER ANSI-Y14.5 MIL-STD-100 & 1000 THICKNESS ARE IN INCHES AND APPLY BEFORE/AFTER PROCESSING SURFACE FINISH SEE NOTES MATERIAL SEE NOTES NETE THIS DRAWING INCORPORATES THIRD ANGLE PROJECTION INTERPRET IAW ANSI Y14.5-1982	UNLESS OTHERWISE SPECIFIED TOLERANCES IN: DECIMALS INCH DIM .XX .03" [.76] .XX .010" [.25] .XXX .005 [.127] .XXXX .0005 [.013] ANGLES: ±30° REMOVE ALL BURRS/SHARP W/ BREAK / R OF .003" TO .0005" UNLESS OTHERWISE NOTED DIAS CONCENTRIC <.003 T.I.R. DO NOT SCALE PRINT	DRAWN DATE T. KUHN 11/14/12 CHECKED DATE NAME XX/XX/XX ENG APPR. DATE T. KUHN 11/14/12 THESE DRAWINGS AND SPECIFICATIONS ARE THE PROPERTY OF XMA CORP. OR OMNI SPECTRA AND SHALL NOT BE REPRODUCED, COPIED NOR USED - IN WHOLE OR IN PART - AS A BASIS FOR THE MANUFACTURE OR SALE OF OTHER ITEMS WITHOUT THE EXPRESS WRITTEN PERMISSION OF XMA CORP.	Permitted by: XMA Omni Spectra® Phone: 603-222-2256 Fax: 603-222-2259 150 Dow Street, Manchester, NH 03101 TITLE OUTLINE DRAWING, ADAPTERMINATOR, 100 w, DC - 8GHz SIZE CAGE CODE C 3HT76 SCALE .5:1 PLATED AREA 96.36 XXX SHEET 1 OF 1 DRAWING NUMBER ADT-7600-FQ REV X1
---	---	---	---

4

3

2

1

TEMPLATE REV -