

1.85mm Component Series

Attenuators, Terminations, & Adapters

XMA announces its newly developed 1.85mm adapters, attenuators, and terminations for your high frequency application. These products have a frequency range of DC-65GHz. XMA is committed to utilizing and applying new technologies to expand its product line. Technical advancements in the telecommunication, medical, defense, and aerospace industries now need products in the high frequency bands.



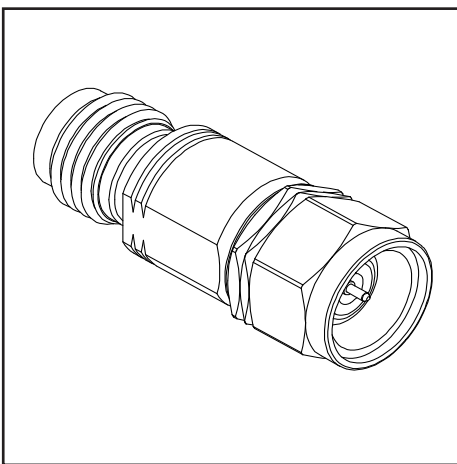
Features and Benefits

- DC-65GHz
- Low VSWR Ratings
- Compact Design
- Custom variations available
- Attenuators in 3, 6, 10, 20, and 30dB models
- Operates -55°C to +100°C
- Various Power Options

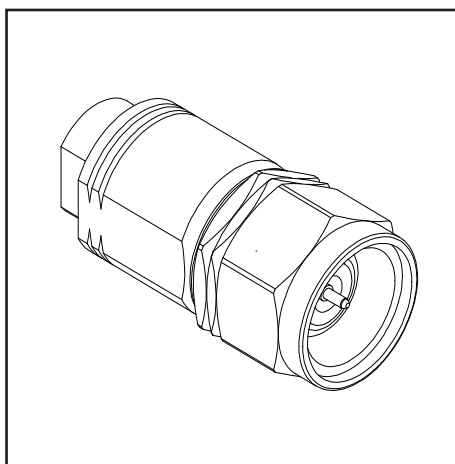
Markets Served

- Telecommunication
- Defense
- Transportation
- Medical
- Aerospace

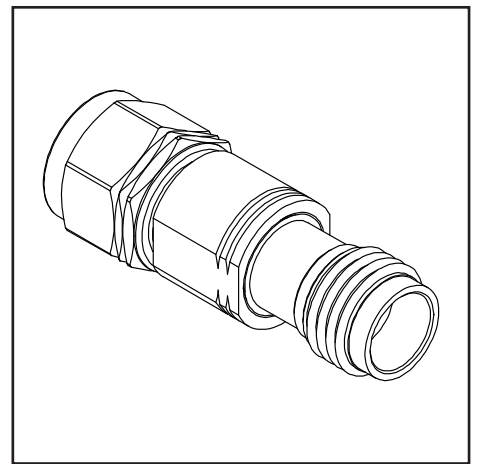
Attenuator



Termination



Adapter



To learn more about XMA's 1.85mm Components visit xmacorp.com