

Attenuators

Attenuators

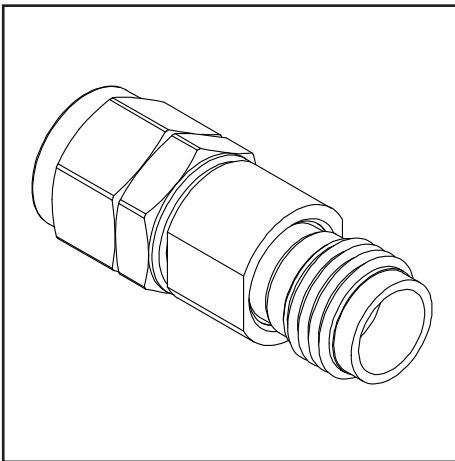
XMA is the predominate world leader in fixed attenuators. Attenuators are linear, passive transmission line components designed to reduce power in a matched system by a predetermined amount. Our catalog attenuators are available in a variety of package sizes and connector configurations, and the attenuator elements are designed to provide broadband operation with tight frequency sensitivity and extremely stable operation at temperature extremes.



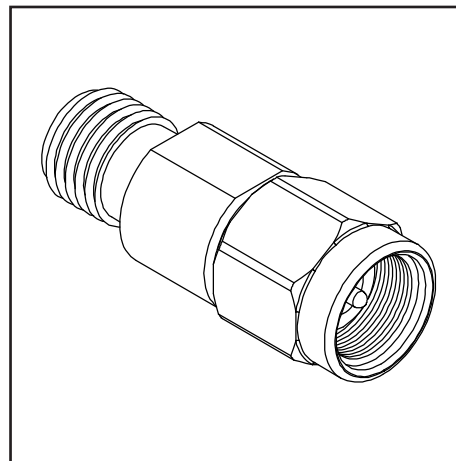
Features and Benefits

- Broadband operating frequencies from DC-65GHz
- Attenuation values from 0dB to 50dB available
- Average power ratings from 0.5W to >300W
- Excellent flatness over frequency
- Superior VSWR performance
- Built to meet stringent military and space applications
- SMP/SMPM connector options now available

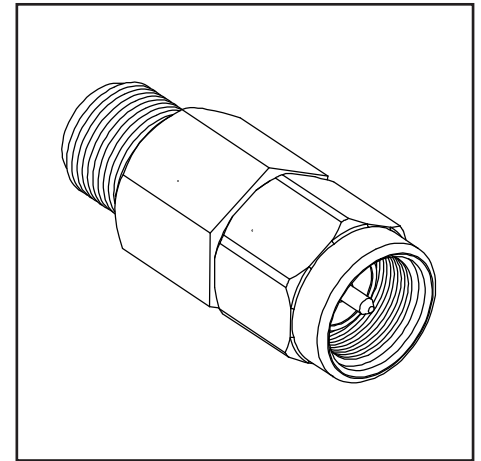
2.4mm Attenuator



2.92 Attenuator



SMA Attenuator



To learn more about XMA's Attenuators visit xmacorp.com