

# Directional Couplers

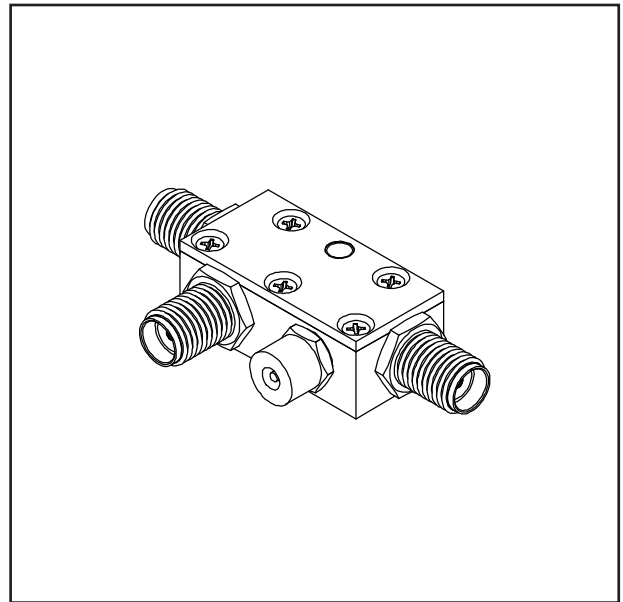
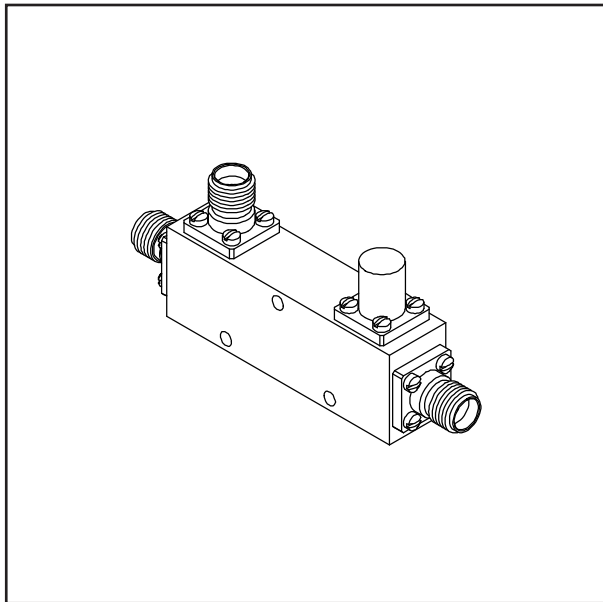
## Directional Couplers

XMA's couplers are passive RF devices used to couple a specific proportion of the power traveling in one transmission line out through another connection or port. Directional couplers find many applications in RF design, ranging from through line power sensors to transmitter automatic level controls. Directional couplers can be designed using a variety of techniques including stripline, microstrip and lumped or discrete elements. They may also be embedded within a variety of packages such as receivers, matrices, switch filter banks, detectors, etc.



## Features and Benefits

- Available frequencies from 500MHz-40GHz
- Average power ratings from 5W to 200W
- Built to meet stringent military and space applications
- Available in various body styles, finishes, and mounting options
- Multiple connector options



To learn more about XMA's Couplers visit [xmacorp.com](http://xmacorp.com)