

DC Blocks

DC Blocks

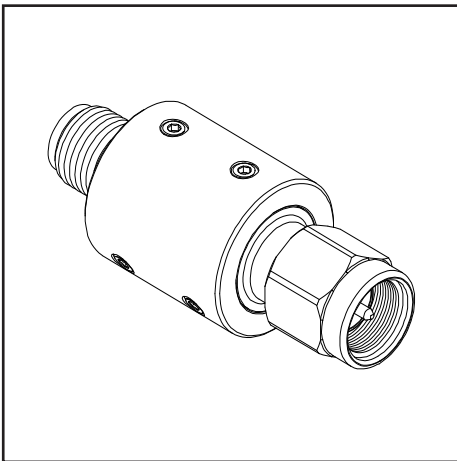
XMA's DC Blocks are components that prevent the flow of direct current (DC) signals into a system, while allowing the higher frequency RF signals to pass through. DC Blocks are similar to high-pass filters, allowing only the RF frequencies to pass through, and are usually designed by placing capacitors in series with a transmission line.



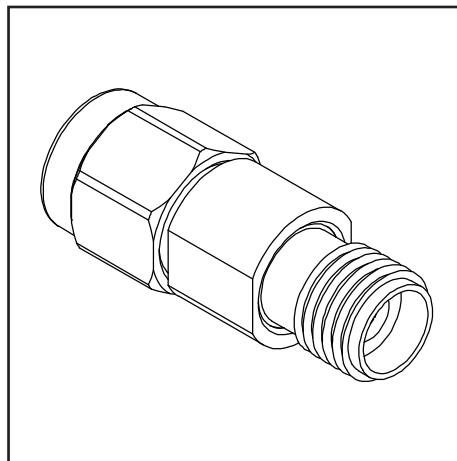
Features and Benefits

- Broadband operating frequencies from DC-65GHz
- Available with Inner, Outer, and Inner/Outer configurations
- Excellent VSWR performance and voltage ratings
- Built to meet stringent military and space applications
- Available in hex, round, and hex/round body styles
- Multiple connector options available

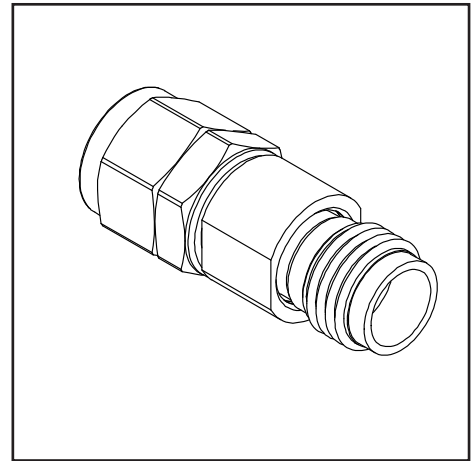
SMA DC Block



2.92 DC Block



2.4mm DC Block



To learn more about XMA's DC Blocks visit xmacorp.com