

Equalizers

Equalizers

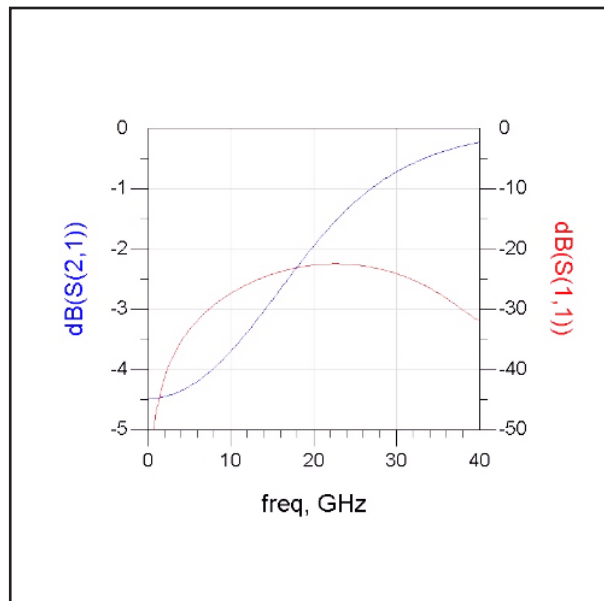
XMA's equalizers are commonly known as special attenuators that have a frequency response footprint that is intentionally not flat. The RF industry provides many reasons for an equalizer, the most common is to fix wideband problems in microwave systems. In certain instances, RF signals have negative gain slope, (i.e. less gain the higher frequency you go). This includes not only amplifiers, but passive components like coaxial cables and microstrip transmission lines. The antidote to negative slope is adding a linear gain equalizer that adds a positive gain slope to your lineup.



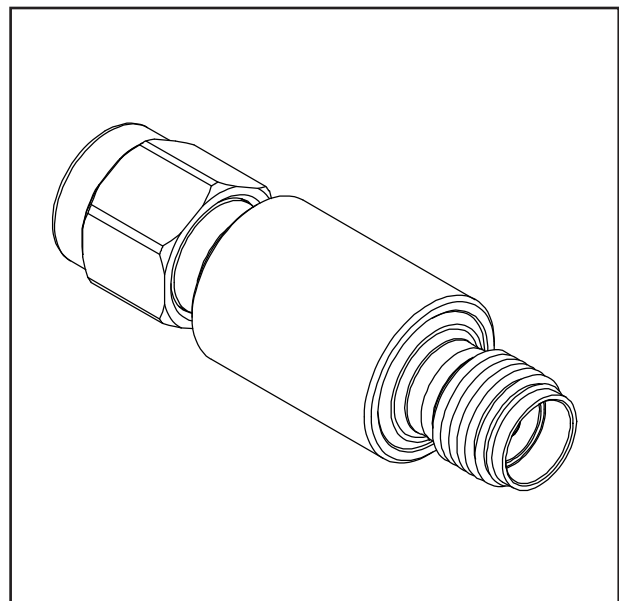
Features and Benefits

- Wide variety of custom equalizer configurations
- Available in a range of multiple frequency bands
- Fixed positive or negative slopes
- Narrow or broadband responses
- Built to meet stringent military and space applications

Equalizer Data



Equalizer



To learn more about XMA's Equalizers visit xmacorp.com