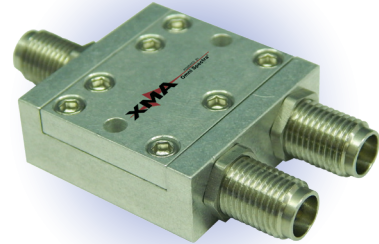


Power Dividers

Power Dividers

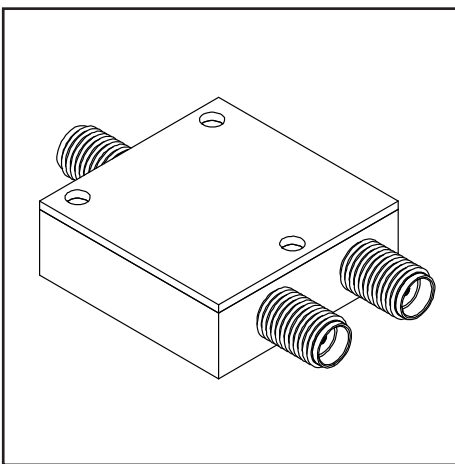
XMA's power dividers are passive components that split an input signal into two or more identical output signals or may also be used to combine multiple signals into one output signal. The number of output ports available in standard models is 2, 3, 4, and 8 outputs, but other combinations of power division are available in special models. XMA's high performance isolated power dividers offer significant advantages when used in phased array antennas, test instrumentation, reflectometer or leveling setups such as feed networks, network analyzers, phase bridges, and any other wideband power splitting applications.



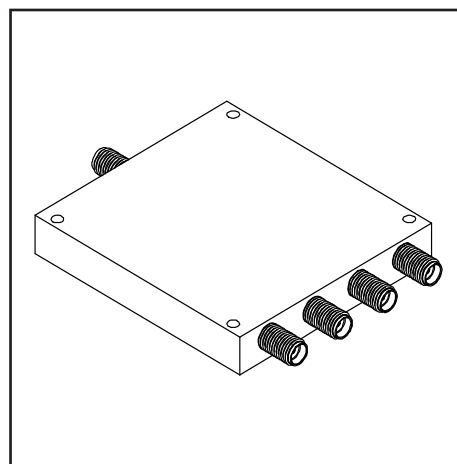
Features and Benefits

- Available frequencies from 500MHz-65GHz
- Average power ratings starting at 2W
- Available in standard 2, 4 and 8-way configurations
- Built to meet stringent military and space applications
- Available in various body styles, finishes, and mounting options
- Custom configurations available

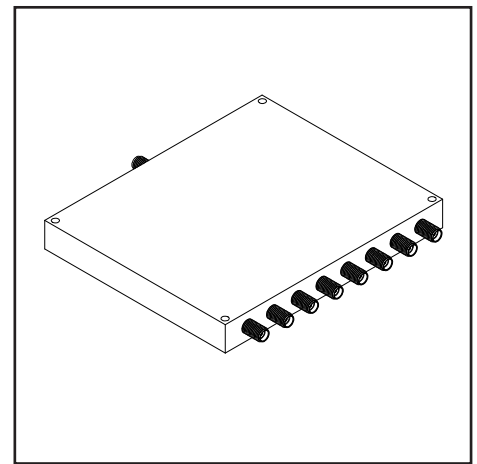
2-Way



4-Way



8-Way



To learn more about XMA's Power Dividers visit xmacorp.com