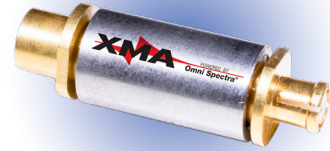


SMP/SMPM Attenuators and Terminations

Attenuators and Terminations

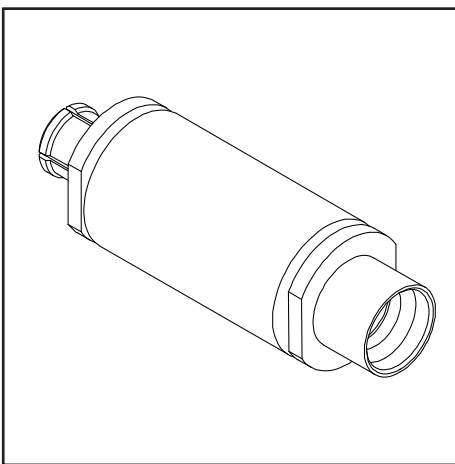
XMA Corporation's new SMP/SMPM Attenuators and Terminations are now ready for highly congested applications. These products can be easily and quickly installed due to the "push-on" connectors. The attenuators are available with full detent, limited detent, and smooth bore variations. Attenuators are made with male to female connectors. The SMP/SMPM product line can handle an average power of 1 Watt, with a peak power rating of 50 Watts.



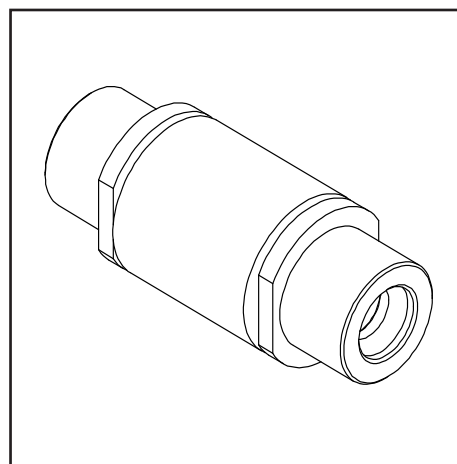
Features and Benefits

- Easy and fast installation, no tools necessary
- DC-18GHz
- RoHs Compliant
- Attenuators in 3, 6, 10, 20, and 30dB models
- Operates -55°C to +125°C
- Low VSWR

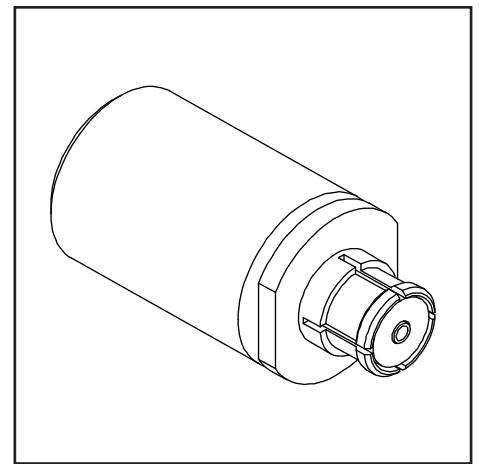
SMP Attenuator



SMPM Attenuator



SMP Termination



To learn more about SMP/SMPM Attenuators and Terminations visit xmacorp.com