

Terminations

Terminations

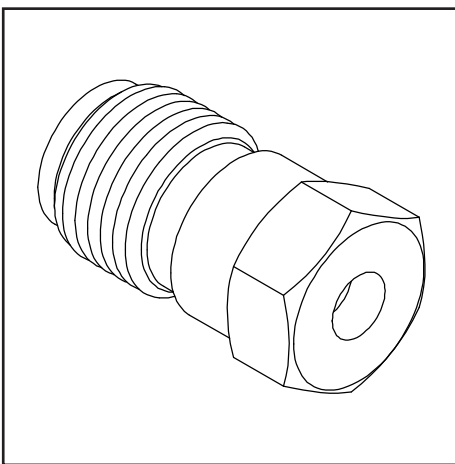
XMA RF Terminations are power absorbing loads properly matched to the characteristic impedance of a transmission line. In theory, an RF termination is the practice of ending a transmission line with a device that matches the characteristic impedance of the line. This is intended to prevent signals from reflecting off the end of the transmission line. Reflections at the ends of unterminated transmission lines cause signal reflection, which can produce unwanted effects in the microwave signal such as insertion loss ripple and high VSWR's, video ghosting, or power loss in radio transmitter transmission lines. XMA provides a complete line of miniature fixed coaxial terminations, as well as high power terminations, designed for laboratory, testing, and system use.



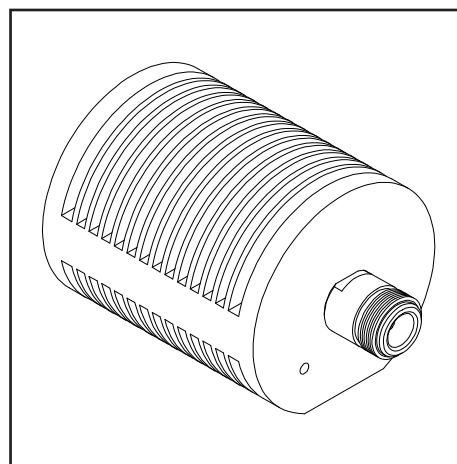
Features and Benefits

- Broadband operating frequencies from DC-65GHz
- Average power ratings from 0.5W to >150W
- Excellent VSWR performance
- Built to meet stringent military and space applications
- Multiple connector options available
- Optional chain feature is available

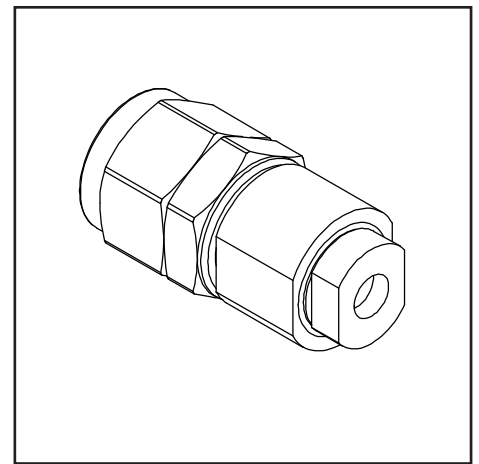
SMA Termination



N-type Termination



2.4mm Termination



To learn more about XMA's Terminations visit xmacorp.com