

SPECIFICATIONS

ELECTRICAL:

FREQUENCY RANGE _____ DC-18 GHz

IMPEDANCE _____ 50 OHMS

VSWR

DC-4 GHz _____ 1.15:1 MAX.
 4-12.4 GHz _____ 1.25:1 MAX.
 12.4-18 GHz _____ 1.35:1 MAX.

ATTENUATION ACCURACY _____ ±0.50

POWER (AVG) _____ 2 WATTS
 POWER DERATES LINEARLY FROM +25°C TO <10% @ +125°C

POWER (PEAK) _____ 500 WATTS
 5 μ SEC PW & 0.05% DUTY CYCLE

OPERATING TEMP _____ 4°K TO +125°C

MECHANICAL

HOUSING _____ PASSIVATED STAINLESS STEEL

CONNECTORS _____ PASSIVATED STAINLESS STEEL

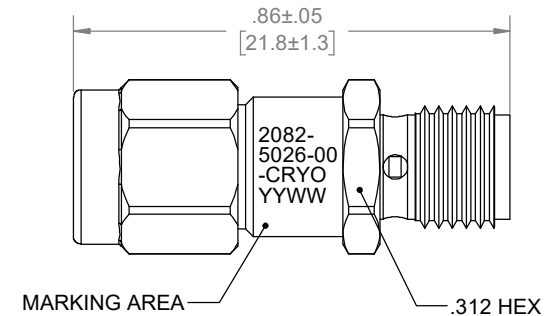
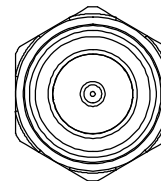
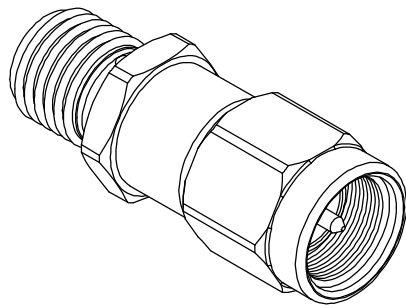
CONTACTS _____ GOLD PLATED BERYLLIUM COPPER

CONNECTOR INTERFACES, FINISHES AND MATERIALS COMPLY WITH BOTH MIL-PRF-39012 AND MIL-STD-348.

RECOMMENDED MATING TORQUE _____ 7 - 10 INCH POUNDS

MARKING

PART LOOKS LIKE PRODUCT IMAGE ABOVE.
 PART MARKING ORIENTATION AND FORMAT AS SHOWN.
 MARKING TO BE AS LARGE AS POSSIBLE, CLEAR, AND READABLE.
 YYWW EQUALS DATE CODE



REVISIONS				
REV	DESCRIPTION	ECO #	DATE	APPROVED
-	CHNG BRDR DEFAULTS;REMOVE 1-12dB	13-306	12/17/13	T.KUHN
A	ADDED MARKING	15-140	5/18/15	T.KUHN
B	CHANGED ASSY # IN BOM	17-063	5/2/17	T.KUHN
C	CHANGED TA# IN BOM	20-126	8/13/20	HIGGINS

QTY.	PART NUMBER	DESCRIPTION	ITEM NO.
X	2082-5026-00-CRYO	ATTENUATOR, SMA-m/f, DC-18GHz, 0dB	
1	TA-2082-6400-dBXU-CRYO	ASSY, ATTENUATOR, SMA-m/f, DC-18GHz, 0dB, UNMARKED	1

DRAWING PRACTICES PER ANSI-Y-14.5 MIL-STD-100 & 1000
 DIMENSIONS ARE IN INCHES AND APPLY BEFORE / AFTER PROCESSING
 SURFACE ROUGHNESS μ INCHES **63**
 FINISH:
 SEE NOTE
 MATERIAL:
 SEE NOTE
 NOTE:
 THIS DRAWING INCORPORATES THIRD ANGLE PROJECTION.

 INTERPRET IAW ANSI Y14.5-1982

UNLESS OTHERWISE SPECIFIED TOLERANCES IN:
 DECIMALS INCH [MM]
 .X" .05" [.127]
 .XX" .03" [.76]
 .XXX" .010" [.25]
 ANGLES ±0°30'
 REMOVE ALL BURRS/SHARP W/ BREAK / R OF .003" TO .0005"
 UNLESS OTHERWISE NOTED DIAS CONCENTRIC <.003 T.I.R.
 DO NOT SCALE PRINT

DRAWN DATE
T.KUHN 6/26/13
 CHECKED DATE
MCCORMICK 5/18/15
 ENG. APPR. DATE
T.KUHN 6/26/13

XMA Omni Spectra
 Phone: 603-222-2256 Fax: 603-222-2259
 150 Dow Street, Manchester, NH 03101

ATTENUATOR, SMA-m/f, DC-18GHz, 0dB, CRYO

SIZE	CAGE CODE	DRAWING NUMBER	REV
B	3HT76	2082-5026-00-CRYO	C
SCALE	PLATED AREA SQ. IN	SHEET 1 OF 1	