

SPECIFICATIONS

ELECTRICAL

FREQUENCY RANGE _____ SEE TABLE

VSWR
 DC - 4 GHz _____ 1.15:1 MAX
 4 - 12.4GHz _____ 1.25:1 MAX
 12.4 - 18 GHz _____ 1.35:1 MAX

ATTENUATION
 0 - 6 dB _____ ±0.3 dB
 7 - 12 dB _____ ±0.5 dB
 13 - 20 dB _____ ±0.7 dB
 21 - 30 dB _____ ±1.0 dB

POWER (AVG) _____ 2 WATTS

POWER (PEAK) _____ 500 WATTS
 @5 μSEC PULSE WIDTH x 0.05% DUTY CYCLE

OPERATING RANGE _____ -65°C TO +125°C

WEIGHT _____ 1.34 oz MAX

MECHANICAL

CENTER CONDUCTOR _____ BERYLLIUM COPPER, GOLD PLATE.

OUTER CONDUCTOR _____ STAINLESS STEEL (NON MAGNETIC), PASSIVATED.

DIELECTRIC _____ TEFLON

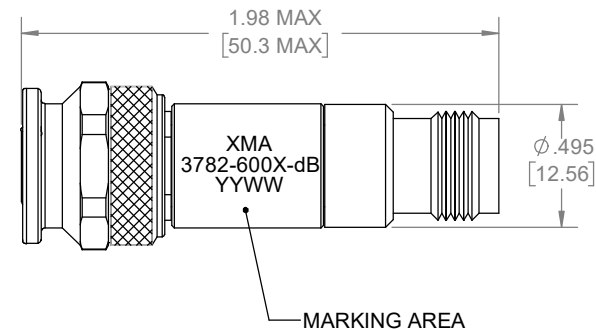
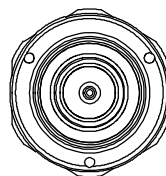
CONNECTOR INTERFACES PER MIL-STD-348

RoHS COMPLIANT DEVICE

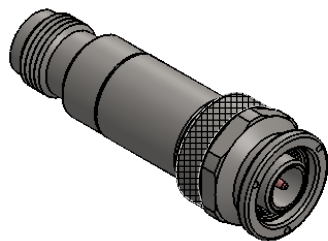
MARKING

PART LOOKS LIKE PRODUCT IMAGE ABOVE.
 PART MARKING ORIENTATION AND FORMAT AS SHOWN.
 MARKING TO BE AS LARGE AS POSSIBLE, CLEAR, READABLE.
 REPLACE "X" AND "dB" WITH APPROPRIATE FREQUENCY VALUE FROM TABLES.
 YYWW EQUALS DATE CODE.

-dB	dB VALUE
01	01
02	02
03	03
04	04
05	05
06	06
07	07
09	09
10	10
11	11
12	12
13	13
15	15
20	20
30	30



X=	FREQUENCY RANGE
3	DC-6GHz
2	DC-12.4GHz
1	DC-18GHz



DRAWING PRACTICES PER ANSI-Y-14.5 MIL-STD-100 & 1000
 DIMENSIONS ARE IN INCHES AND APPLY BEFORE / AFTER PROCESSING
 SURFACE ROUGHNESS 63 μINCHES
 FINISH:
 SEE NOTES
 MATERIAL:
 SEE NOTES
 NOTE:
 THIS DRAWING INCORPORATES THIRD ANGLE PROJECTION.
 INTERPRET IAW ANSI Y14.5-1982

UNLESS OTHERWISE SPECIFIED TOLERANCES IN:
 DECIMALS INCH [MM]
 .X" .05" [.127]
 .XX" .03" [.76]
 .XXX" .010" [.25]
 ANGLES ±0°30'
 REMOVE ALL BURRS/SHARP W/ BREAK / R OF .003" TO .0005"
 UNLESS OTHERWISE NOTED DIAS CONCENTRIC <.003 T.I.R.
 DO NOT SCALE PRINT

DRAWN DATE
 MCCORMICK 10/24/14
 CHECKED DATE
 MCCORMICK 10/24/14
 ENG. APPR. DATE
 T.KIUHN 10/24/14
 THESE DRAWINGS AND SPECIFICATIONS ARE THE PROPERTY OF XMA CORP. OR OMNI SPECTRA AND SHALL NOT BE REPRODUCED, COPIED NOR USED - IN WHOLE OR IN PART - AS A BASIS FOR THE MANUFACTURE OR SALE OF OTHER ITEMS WITHOUT THE EXPRESS WRITTEN PERMISSION OF XMA CORP.

 Phone: 603-222-2256 Fax: 603-222-2259 150 Dow Street, Manchester, NH 03101 TITLE			
ATTENUATOR, TNC-m/f, DC-18GHz, 2W			
SIZE B	CAGE CODE 3HT76	DRAWING NUMBER 3782-600X-dB	REV B
SCALE	PLATED AREA SQ. IN	SHEET 1 OF 1	

QTY.	PART NUMBER	DESCRIPTION	ITEM NO.
X	3782-600X-dB	ATTENUATOR, TNC-m/f, DC-18GHz, 2W	
1	TA-3782-600X-dBU	ASSEMBLY, ATTENUATOR, TNC-m/f, DC-18GHz, 2W, UNMARKED	1

REVISIONS				
REV	DESCRIPTION	ECO #	DATE	APPROVED
-	INITIAL RELEASE	14-310	10/24/14	T.KUHN
A	ADDED RoHS STATEMENT	16-156	7/19/16	T.KUHN
B	REMOVED 40 dB FROM SPECS	19-086	7/31/19	T.KUHN