

SPECIFICATIONS

ELECTRICAL

FREQUENCY RANGE _____ 10MHz - 65GHz

VSWR
10MHz - 65 GHz _____ <1.60:1 MAX

INSERTION LOSS
10MHz - 65GHz _____ 1.25 dB MAX

AVERAGE POWER _____ 1 WATT

VOLTAGE _____ 16 VOLTS MAX (INNER ONLY)

IMPEDANCE _____ 50 OHMS

OPERATING TEMP RANGE _____ -55°C TO +100°C

MECHANICAL

CENTER CONDUCTOR _____ BERYLLIUM COPPER
GOLD PLATE IAW MIL-PRF-39012

HOUSING _____ STAINLESS STEEL PER
ASTM A484 & A582, CLASS 303, COND. A.
PASSIVATED PER ASTM A380

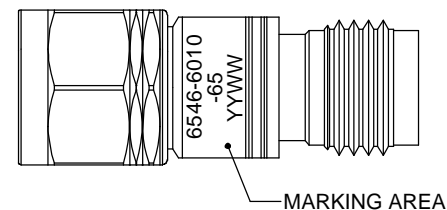
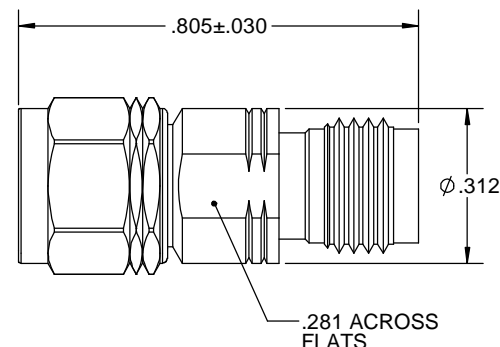
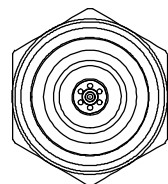
DIELECTRIC _____ TEFLON

WEIGHT _____ 5g MAX

RoHS COMPLIANT DEVICE

MARKING

PART LOOKS LIKE PRODUCT IMAGE SHOWN.
PART MARKING ORIENTATION AND FORMAT AS SHOWN.
MARKING TO BE AS LARGE AS POSSIBLE BE, CLEAR, READABLE.
YYWW EQUALS DATE CODE



REVISIONS				
REV	DESCRIPTION	ECO #	DATE	APPROVED
-	INITIAL RELEASE	18-128	8/27/18	T.KUHN

QTY.	PART NUMBER	DESCRIPTION	ITEM NO.
X	6546-6010-65	DC BLOCK, 1.85mm-m/f, 10MHz-65GHz, 16V	
1	TA-6546-6010-65U	ASSEMBLY, DC BLOCK, 1.85mm-m/f, 10MHz-65GHz, 16V, UNMARKED	1

DRAWING PRACTICES PER ANSI-Y-14.5 MIL-STD-100 & 1000	
DIMENSIONS ARE IN INCHES AND APPLY BEFORE / AFTER PROCESSING	
SURFACE ROUGHNESS	63
FINISH:	
SEE NOTE	
MATERIAL:	
SEE NOTE	
NOTE: THIS DRAWING INCORPORATES THIRD ANGLE PROJECTION.	
INTERPRET IAW ANSI Y14.5-1982	

UNLESS OTHERWISE SPECIFIED TOLERANCES IN:		
DECIMALS	INCH	[MM]
.X"	.03"	[.76]
.XX"	.010"	[.25]
.XXX"	.005	[.127]
.XXXX"	.0005"	[.013]
ANGLES ±0°30'		
REMOVE ALL BURRS/SHARP W/ BREAK / R OF .003" TO .0005" UNLESS OTHERWISE NOTED DIAS CONCENTRIC <.003 T.I.R.		
DO NOT SCALE PRINT		

DRAWN	DATE
MCCORMICK	3/5/18
CHECKED	DATE
MCCORMICK	3/5/18
ENG. APPR.	DATE
T.KUHN	3/5/18

Phone: 603-222-2256 Fax: 603-222-2259
7 Perimeter Road, Manchester, NH 03103

TITLE

DC BLOCK, 1.85mm-m/f, 10MHz-65GHz, 16V

SIZE	CAGE CODE	DRAWING NUMBER	REV
B	3HT76	6546-6010-65	-
SCALE	PLATED AREA SQ. IN	SHEET 1 OF 1	

THESE DRAWINGS AND SPECIFICATIONS ARE THE PROPERTY OF XMA CORP. OR OMNI SPECTRA AND SHALL NOT BE REPRODUCED, COPIED NOR USED - IN WHOLE OR IN PART - AS A BASIS FOR THE MANUFACTURE OR SALE OF OTHER ITEMS WITHOUT THE EXPRESS WRITTEN PERMISSION OF XMA CORP.