

4

3

2

1

SPECIFICATIONS

ELECTRICAL

FREQUENCY RANGE _____ DC - 50 GHz

STANDARD dB VALUES _____ 1 THRU 10, 20 & 30 dB

ATTENUATION ACCURACY _____ DC - 26.5 GHz 26.5 - 40 GHz 40 - 50 GHz
 3 THRU 10 dB ±0.5 dB ±1.0 dB ±1.5 dB
 20 & 30 dB ±0.75 dB ±1.25 dB ±2.0 dB

VSWR (MAX) _____ DC-26.5 GHz 26.5 - 40 GHz 40 - 50 GHz
 <1.35 <1.60 <1.65

POWER (AVG. MAX.) _____ SEE TABLE
 DERATES LINEARLY TO 10% AT +100°C

IMPEDANCE _____ 50 OHMS

TEMPERATURE RANGE _____ -55 TO +100°C

MATERIAL

HOUSING _____ STAINLESS STEEL IAW ASTM-A484 & ASTM-A582, ALLOY 303, COND A

CONTACT _____ BERYLLIUM COPPER

DIELECTRIC _____ HIGH TEMPERATURE PLASTIC BEAD

FINISH

HOUSING _____ PASSIVATED STAINLESS STEEL

CONDUCTOR _____ GOLD PLATED IAW MIL-PRF-39012

RoHS COMPLIANT DEVICE

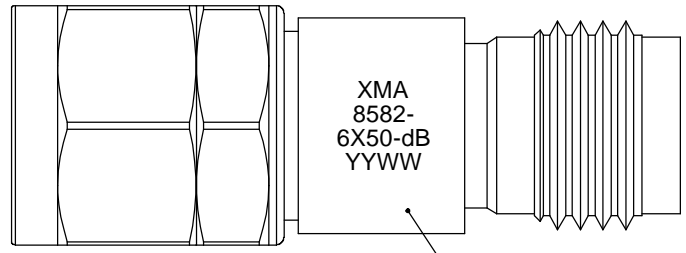
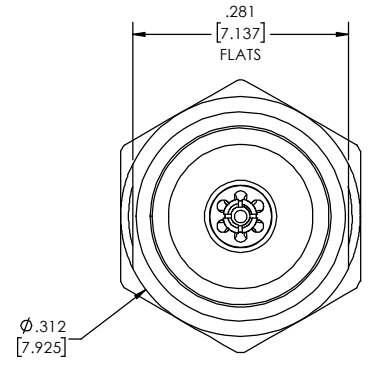
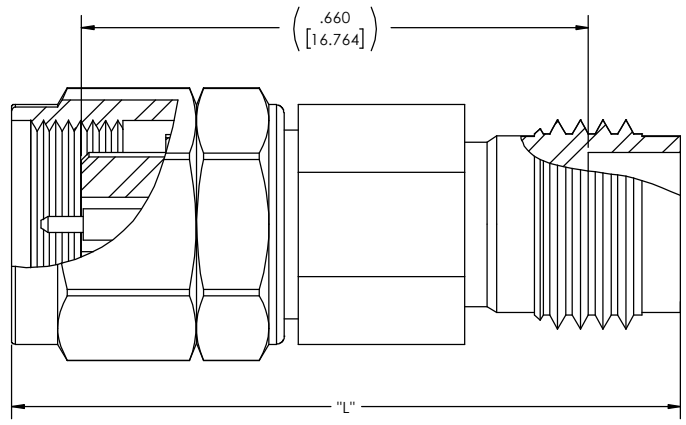
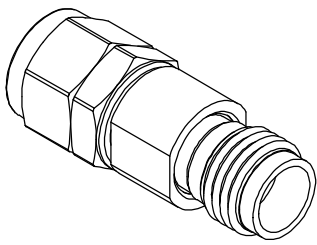
DB VALUE LENGTH "L"
 0-20_871±.030
 30_911±.030

MARKING

PART LOOKS LIKE PRODUCT IMAGE ABOVE.
 PART MARKING ORIENTATION AND FORMAT AS SHOWN (CURVED SURFACE).
 dB = SEE TABLE FOR TWO DIGIT dB VALUE.
 REPLACE "X" WITH ONE DIGIT REPRESENTING POWER LEVEL FROM TABLE.
 MARKING TO BE AS LARGE AS POSSIBLE.
 YYYY EQUALS DATE CODE.

| PART NO | ATTENUATION | MARKED dB VALUE |
|--------------|-------------|-----------------|
| 8582-6X50-01 | 1dB | 01 |
| 8582-6X50-02 | 2dB | 02 |
| 8582-6X50-03 | 3dB | 03 |
| 8582-6X50-04 | 4dB | 04 |
| 8582-6X50-05 | 5dB | 05 |
| 8582-6X50-06 | 6dB | 06 |
| 8582-6X50-07 | 7dB | 07 |
| 8582-6X50-08 | 8dB | 08 |
| 8582-6X50-09 | 9dB | 09 |
| 8582-6X50-10 | 10dB | 10 |
| 8582-6x50-12 | 12dB | 12 |
| 8582-6X50-20 | 20dB | 20 |
| 8582-6X50-30 | 30dB | 30 |

| 8582-6X50-dB | POWER LEVEL |
|--------------|-------------|
| X=0 | 0.5 WATT |
| X=1 | 1.0 WATT |



MARKING SEE NOTE

| REVISIONS | | | | |
|-----------|------------------------|--------|---------|----------|
| REV | DESCRIPTION | ECO # | DATE | APPROVED |
| D | ADDED MARKING | 15-182 | 6/16/15 | T.KUHN |
| E | ADDED XMA TO MARKING | 16-080 | 4/12/16 | T.KUHN |
| F | VSWR 1.65:1 WAS 1.75:1 | 17-121 | 8/1/17 | T.KUHN |
| G | ADDED 12 dB TO CHART | 20-059 | 4/22/20 | T.KUHN |

| QTY. | PART NUMBER | DESCRIPTION | ITEM NO. |
|------|------------------|---|----------|
| X | 8582-6X50-dB | ATTENUATOR, 2.4mm-m/f, DC-50GHz | |
| 1 | TA-8582-6X50-dBU | ASSY, ATTENUATOR, 2.4mm-m/f, DC-50GHz, UNMARKED | 1 |

DRAWING PRACTICES PER ANSI Y-14.5
 DIMENSIONS ARE IN INCHES AND APPLY BEFORE/ AFTER PROCESSING

SURFACE ROUGHNESS
 INCHES: 63
 FINISH: SEE NOTES

MATERIAL: SEE NOTES

NOTE: THIS DRAWING INCORPORATES THIRD ANGLE PROJECTION.

INTERPRET IAW ANSI Y14.5-1982

UNLESS OTHERWISE SPECIFIED TOLERANCES IN:
 DECIMALS INCH [MM]
 .X" .05" [1.27]
 .XX" .03" [.76]
 .XXX" .010" [.25]

ANGLES ±0°30'
 REMOVE ALL BURRS/SHARP W/ BREAK / R OF .003" TO .0005"
 UNLESS OTHERWISE NOTED DIAS CONCENTRIC <.003 T.I.R.

DO NOT SCALE PRINT

DRAWN DATE
 McCORMICK 04/28/15

CHECKED DATE
 McCORMICK 04/28/15

ENG APPR. DATE
 T.KUHN 04/28/15

THESE DRAWINGS AND SPECIFICATIONS ARE THE PROPERTY OF XMA CORP. OR OMNI SPECTRA AND SHALL NOT BE REPRODUCED, COPIED NOR USED IN WHOLE OR IN PART AS A BASIS FOR THE MANUFACTURE OR SALE OF OTHER ITEMS WITHOUT THE EXPRESS WRITTEN PERMISSION OF XMA CORP.

Phone: 603-222-2256 Fax: 603-222-2259
 150 Dow Street, Manchester, NH 03101

ATTENUATOR, 2.4mm-m/f, DC-50GHz

| SIZE | CAGE CODE | DRAWING NUMBER | REV |
|------|-----------|----------------|-----|
| C | 3HT76 | 8582-6X50-dB | G |

SCALE: PLATED AREA 50 IN SHEET 1 OF 1

4

3

2

1